



The **CINE PRO** is a large dimension electrical screen available from 8 mt. till 12 mt. of width. Cine Pro is the best choice for cinemas, theatres and auditoriums, where there is the need to join a projection with the alternative to play a performance on the stage.

TECHNICAL SPECIFICATIONS

- Electric **BOTTOM ROLLER** screen that assures perfect flatness
- Safer descent of the roller thanks to the steel cables and additional new **SAFETY MECHANISM** which stops motor in case an obstacle is hit during rolling down
- Screen housing **standard** in **BLACK** colour RAL 9005 – *optional* available in white colour (papyrus RAL 9018)
- Equipped with a **SAFETY SYSTEM** that prevents dropping down of the bottom roller in case of failure
- Nr. 5 new ceiling mounting brackets for an easier fixing (included)
- Truss mounting brackets (*optional*)
- Available in **bespoke sizes** – *optional* black side borders and black top drop

DETAIL OF THE BOTTOM ROLLER



Ceiling mounting brackets



n.1 On/off switcher



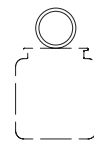
Kit RF Remote control with external receiver



Interface switch 12 volt



Low voltage contact interface

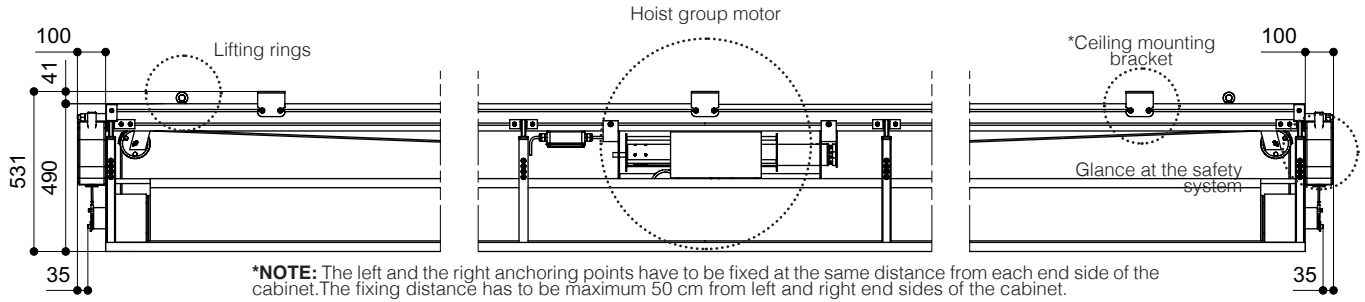


Truss mounting brackets

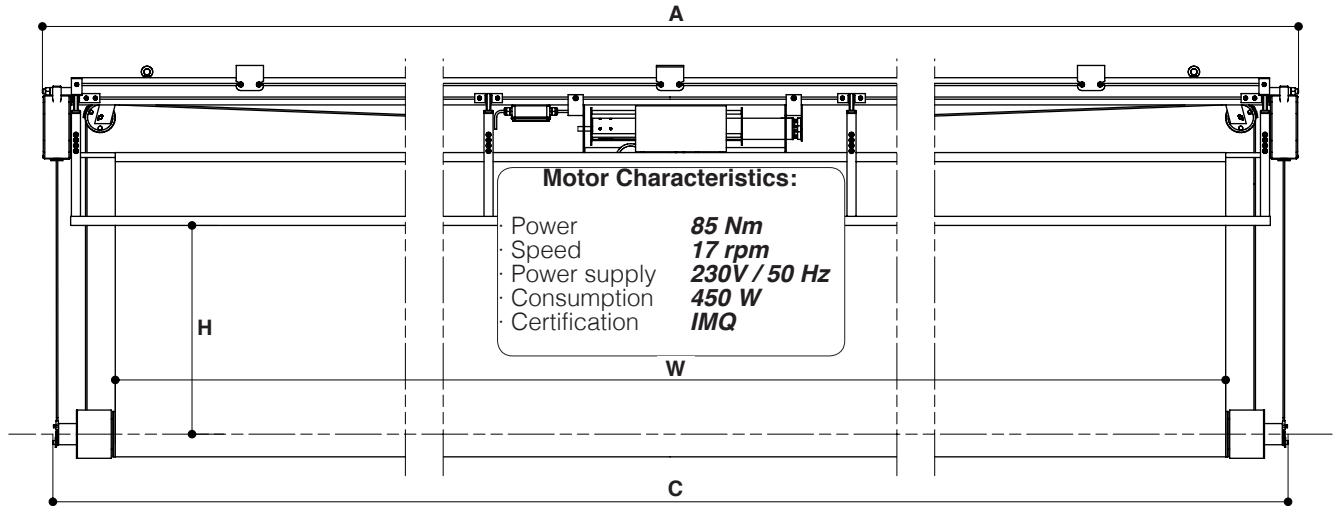
INCLUDED

OPTIONAL pag 70-71

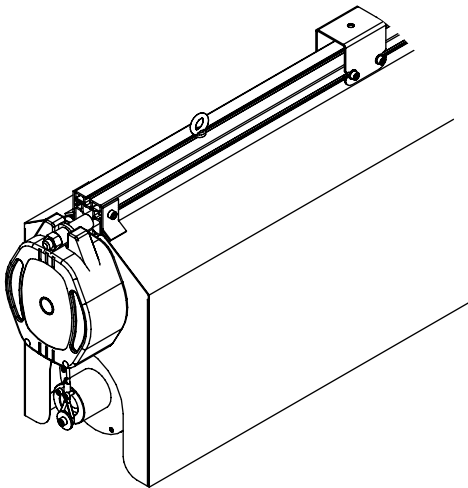
CINE PRO CLOSED



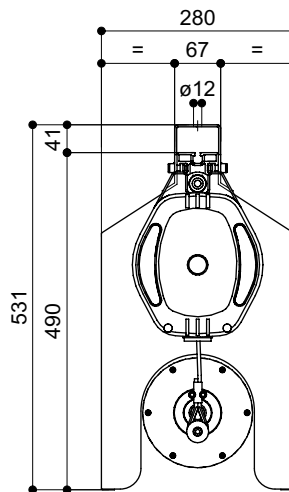
CINE PRO OPEN



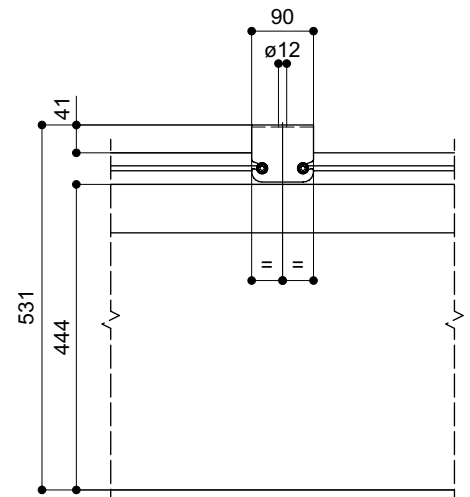
HOUSING GLANCE



HOUSING SIDE VIEW



HOUSING FRONT VIEW



The measures in the drawings are expressed in millimetres.

DIMENSIONS measures in cm

| Viewing area (WxH) | Overall dimensions A - C | Approx. net weight (Kg) | Approx. gross weight (Kg) | Rolling down/up time (sec) |
|--------------------|--------------------------|-------------------------|---------------------------|----------------------------|
| 800 x 450 | 858 - 851 | 227 | 491 | 59 |
| 900 x 500 | 958 - 951 | 249 | 554 | 65 |
| 1000 x 550 | 1058 - 1051 | 270 | 614 | 71 |
| 1100 x 600 | 1158 - 1151 | 292 | 680 | 78 |
| 1200 x 650 | 1258 - 1251 | 314 | 746 | 85 |

PROJECTION CLOTHS

| Front projection surfaces | Gain | Rear projection surfaces | Gain |
|---------------------------|------|--------------------------|------|
| White* | 1.2 | Rear Plus* | 1.1 |
| Pure KS* | 1.0 | Front Rear* | 0.9 |
| Pure Matte KS* | 1.1 | | |
| Microholes* | 1.1 | | |

*Weldings on the projection surface

Warranty: 5 years on the motor - 24 months on the other components