

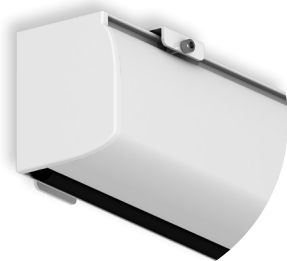


**COMPACT HOME CINEMA** is an electric screen dedicated to the Home Theatre market and it is the right alternative to the Double Format or to the Compact Tensioned screens because high quality features mark it out from the other Home Theatre models. A black drop on the top of the projection surface allows to install this screen inside false ceilings or inside rooms with high ceiling. Side black borders let perceive a brighter and sharper image.

Available in 4:3, 16:9 and 16:10 formats or *bespoke sizes*.



**False ceiling trim kit**  
(optional - for details see p. 52)



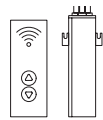
**White side covers**  
(optional)



n.2  
Wall/Ceiling  
brackets



n.1  
On/off  
switcher



Kit RF Remote  
control with  
external  
receiver



Interface  
switch 12 volt



Multiple  
control  
interface set



Interface  
RS485



Low voltage  
contact  
interface



Nm 9  
Rpm 26



Nm 7  
Rpm 18

Faster  
motor

Extremely  
quiet motor

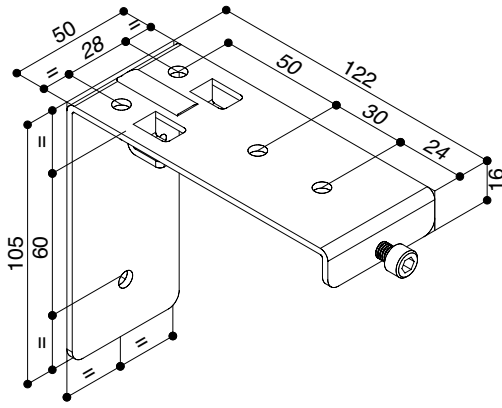
**INCLUDED**

**OPTIONAL** pag 70-71

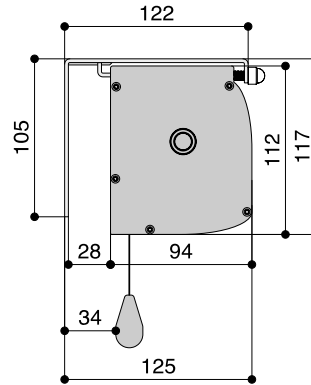
**DROP OF PROJECTION CLOTH**  
STANDARD

**FRONT DROP OF PROJECTION CLOTH**  
*(optional)*

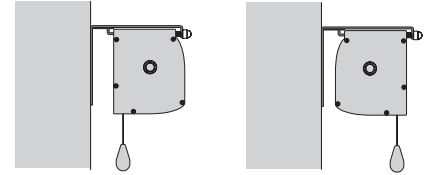
### WALL-CEILING BRACKET



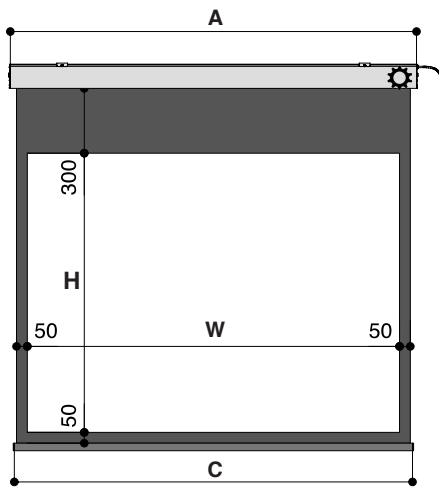
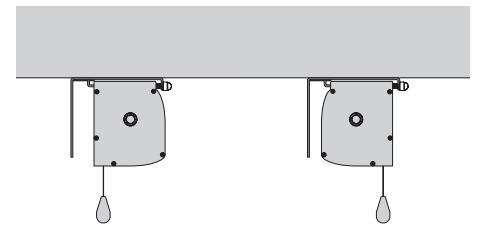
### HOUSING DIMENSIONS



### WALL MOUNTING



### CEILING MOUNTING



### TECHNICAL SPECIFICATIONS

- Silent motor system provides a smooth and quiet operation
  - Power: **6 Nm**
  - Speed: **17 rpm**
  - Power supply: **230V / 50 Hz**
  - Consumption: **137 W**
  - Certification: **IMQ**
- Totally manufactured from aluminium
- Smart design and easy to install
- Housing dimensions: 94x112 mm. (DxH)
- Housing painted with white epoxy powders (RAL 9010)
- Two universal mounting brackets either for ceiling or for wall included
- On/off switcher included
- Power cable located at the **right** side of the screen housing seen from the front
- Flame-retardant projection surfaces
- Side black borders of 5 cm., black bottom border of 5 cm., black top drop of 30 cm. and black dowel bar: height 35 mm. - depth 20 mm.
- **Screen housing available in different colours** *(optional)*

The measures in the drawings are expressed in millimetres.

### DIMENSIONS measures in cm

4:3 Ratio Viewing area (WxH)	16:10 Ratio Viewing area (WxH)	16:9 Ratio Viewing area (WxH)	Overall dimensions A - C	Approx. net weight (Kg)
160 x 120	160 x 100	160 x 90	179 - 174	15
180 x 135	180 x 112	180 x 101	199 - 194	16
200 x 150	200 x 125	200 x 112	219 - 214	18
220 x 165	220 x 137	220 x 124	239 - 234	20
250 x 190	250 x 156	250 x 140	269 - 264	23
300 x 225	300 x 187	300 x 169	319 - 314	26

### PROJECTION CLOTHS

Front projection surfaces	Gain		
White	1.2		
Matte White	1.2		
Lumi Grey	0.8		
Microperforated	1.1		
Lumi Grey Microperforated	0.8		
Cinesound*	0.7		
Pure KS	1.1		
Pure Matte KS	1.1		
Bright Contrast 3D 0.8*	0.8		
Fibre Matte*	1.25		

\*Limited in height

**Warranty:** 5 years on the motor - 24 months on the other components