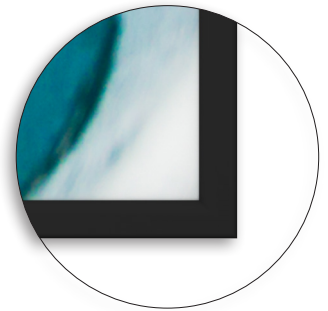


from 160 cm. to 400 cm. widths



GLANCE OF THE BEZEL
Covered with velvet
37 mm

TECHNICAL SPECIFICATIONS

LEONARDO FR 37 is the latest upgrade among the fixed frame screens.

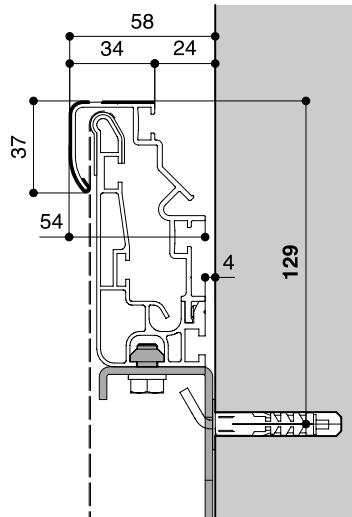
The frame is covered with black velvet finishing and it is 37 mm. wide; this allows the perfect match with Oyster surface, the prestigious cloth for the highest contrast together with ALR (Ambient Light Rejection) features.

The elastic anchoring system assures a perfect and flat tensioning of the cloth to the frame. The final result will be astonishing!

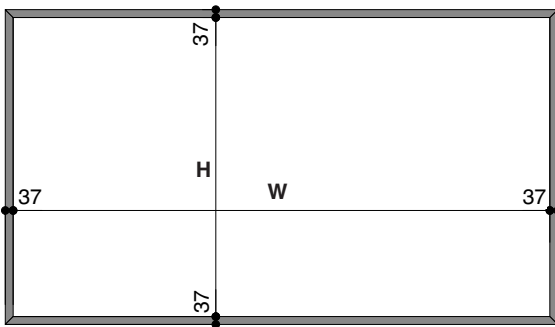
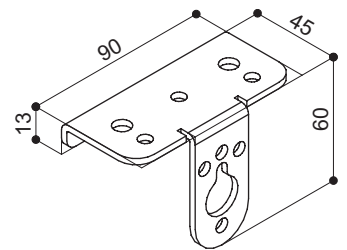
Available in 4:3, 16:10, 16:9, 21:9 and 2,39:1 ratios or *bespoke sizes*.

- Frame dimensions: 37x54 mm. (WxD)
- Raw aluminium frame covered with black velvet
- **No visible brackets** are included in order to fix the screen to the wall
- Projection surface anchoring system with galvanized rods and rubber bands
- In case of Oyster surface: anchoring system with metal eyelets and rubber bands
- Flame-retardant projection surfaces

PROFILE



WALL BRACKET



DIMENSIONS measures in cm

Ratio 4:3 Dimensions (WxH)	Ratio 16:10 Dimensions (WxH)	Ratio 16:9 Dimensions (WxH)	Ratio 21:9 Dimensions (WxH)	Ratio 2,39:1 Dimensions (WxH)	Approx. net weight (Kg)
160 x 120	160 x 100	160 x 90	160 x 69	160 x 67	16
180 x 135	180 x 112	180 x 101	180 x 77	180 x 75	18
200 x 150	200 x 125	200 x 112	200 x 86	200 x 84	19
220 x 165	220 x 137	220 x 124	220 x 94	220 x 92	21
250 x 190	250 x 156	250 x 140	250 x 107	250 x 105	24
300 x 225	300 x 187	300 x 169	300 x 128	300 x 125	28
350 x 265	350 x 219	350 x 197	350 x 150	350 x 146	33
400 x 300	400 x 250	400 x 225	400 x 171	400 x 167	37

PROJECTION SURFACES

Front projection surfaces	Gain
White	1.2
HD Performer	1.3
Pure KS	1.1
Pure Matte KS	1.1
Microperforated	1.1
Lumi Grey Microperforated	0.8
Lumi Grey	0.8
Oyster (ALR)*	0.8
Silver Blast*	1.3

Warranty: 24 months

*Limited in height